



POWER TRANSMISSION PARTS

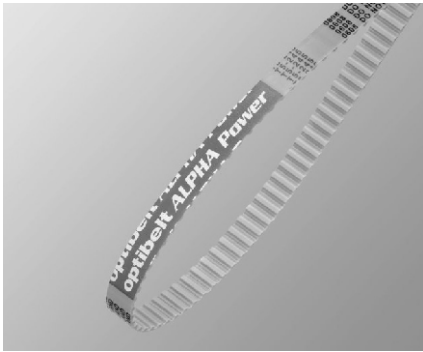
Spare parts in-stock when you need them

Metric Timing Pulleys & Belt Drives

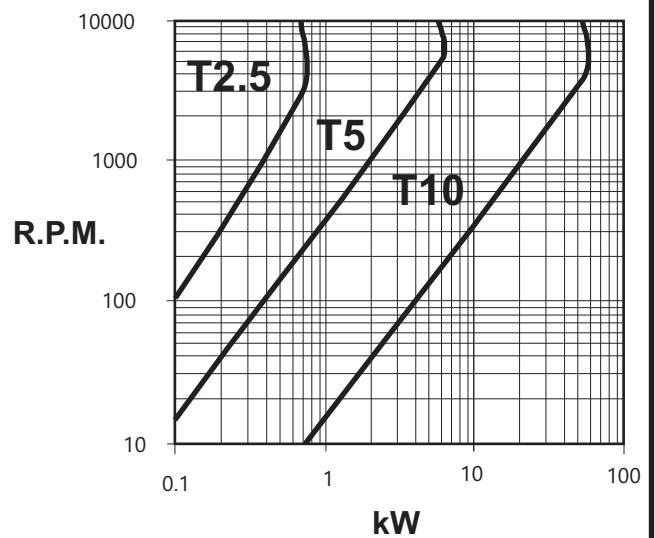
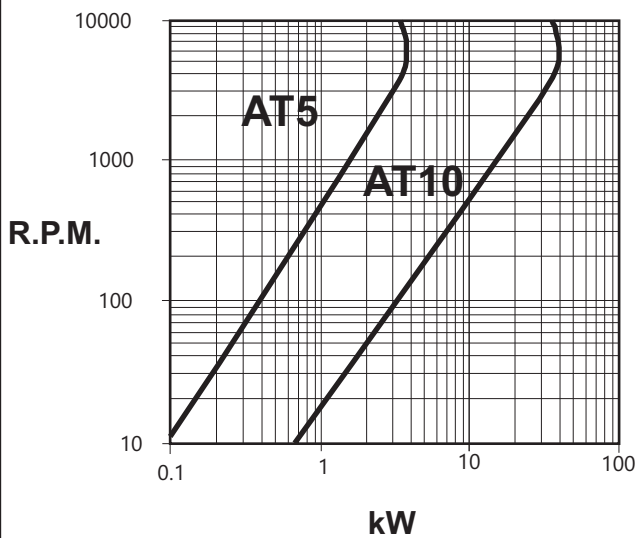


www.ptparts.com.au

Metric T & AT Pulley & Belt Drives



The metric T & AT series was created to meet industries need for polyurethane belts with a high price/quality ratio. They provide maximum power transmission combined with perfect tooth meshing. Capable of transmitting up to 60kW and speeds of 10,000 rpm. To select a drive it is necessary to know the driver and driven shaft speeds, the demand power, proposed centre distance and duty cycle. The Optibelt belt range chart below can be used to select the optimum belt size for a drive. For further information or help in selecting a drive contact Naismith Engineering.



Alpha

Optibelt Alpha timing belts consist of high tensile strength, flexible tension cord and abrasion resistant polyurethane. Available in T2.5, T5 and T10 as well as AT5 and AT10.

Alpha Power

Alpha Power timing belts are a result of the consistent developments undertaken by Optibelt. The new Alpha Power belt has more resistant and more durable polyurethane compounds, and an increase in performance of 30%. The Optimized interplay between the polyurethane and the steel cord components guarantees that the Optibelt Alpha Power belt will be an extremely economical solution for a wide range of applications.



Metric Timing Belts T2.5 & T5



| | Pitch (mm) | T | B |
|------|------------|------|------|
| T2.5 | 2.50 | 0.70 | 1.30 |
| T5 | 5.00 | 1.20 | 2.20 |

| Belt | Teeth | Pitch Length |
|--------------|-------|--------------|
| 120-T2.5 | 48 | 120 |
| 145-T2.5 | 58 | 145 |
| 160-T2.5 | 64 | 160 |
| 177.5-T2.5 | 71 | 178 |
| 180-T2.5 | 72 | 180 |
| 182.5-T2.5 * | 73 | 183 |
| 185-T2.5 | 74 | 185 |
| 200-T2.5 | 80 | 200 |
| 230-T2.5 | 92 | 230 |
| 245-T2.5 | 98 | 245 |
| 265-T2.5 | 106 | 265 |
| 285-T2.5 | 114 | 285 |
| 290-T2.5 | 116 | 290 |
| 305-T2.5 | 122 | 305 |
| 317.5-T2.5 | 127 | 318 |
| 330-T2.5 | 132 | 330 |
| 380-T2.5 | 152 | 380 |
| 395-T2.5 | 158 | 395 |
| 420-T2.5 | 168 | 420 |
| 480-T2.5 | 192 | 480 |
| 500-T2.5 | 200 | 500 |
| 540-T2.5 | 216 | 540 |
| 600-T2.5 | 240 | 600 |
| 620-T2.5 | 248 | 620 |
| 650-T2.5 | 260 | 650 |
| 680-T2.5 | 272 | 680 |
| 700-T2.5 | 280 | 700 |
| 780-T2.5 | 312 | 780 |
| 880-T2.5 | 352 | 880 |
| 915-T2.5 | 366 | 915 |
| 950-T2.5 | 380 | 950 |
| 1185-T2.5 * | 474 | 1185 |

Standard Widths of:-
6mm Code = Length-T2.5-6

Off Standard Widths are available
on request

* Size available on request

| Belt | Teeth | Pitch Length |
|--------|-------|--------------|
| 150-T5 | 30 | 150 |
| 165-T5 | 33 | 165 |
| 180-T5 | 36 | 180 |
| 185-T5 | 37 | 185 |
| 200-T5 | 40 | 200 |
| 210-T5 | 42 | 210 |
| 215-T5 | 43 | 215 |
| 220-T5 | 44 | 220 |
| 225-T5 | 45 | 225 |
| 245-T5 | 49 | 245 |
| 250-T5 | 50 | 250 |
| 255-T5 | 51 | 255 |
| 260-T5 | 52 | 260 |
| 270-T5 | 54 | 270 |
| 275-T5 | 55 | 275 |
| 280-T5 | 56 | 280 |
| 295-T5 | 59 | 295 |
| 305-T5 | 61 | 305 |
| 315-T5 | 63 | 315 |
| 320-T5 | 64 | 320 |
| 325-T5 | 65 | 325 |
| 330-T5 | 66 | 330 |
| 340-T5 | 68 | 340 |
| 350-T5 | 70 | 350 |
| 355-T5 | 71 | 355 |
| 365-T5 | 73 | 365 |
| 375-T5 | 75 | 375 |
| 390-T5 | 78 | 390 |
| 400-T5 | 80 | 400 |
| 410-T5 | 82 | 410 |
| 420-T5 | 84 | 420 |
| 445-T5 | 89 | 445 |
| 450-T5 | 90 | 450 |
| 455-T5 | 91 | 455 |
| 460-T5 | 92 | 460 |
| 475-T5 | 95 | 475 |
| 480-T5 | 96 | 480 |
| 500-T5 | 100 | 500 |
| 510-T5 | 102 | 510 |
| 525-T5 | 105 | 525 |
| 545-T5 | 109 | 545 |
| 550-T5 | 110 | 550 |
| 560-T5 | 112 | 560 |

| Belt | Teeth | Pitch Length |
|-----------|-------|--------------|
| 575-T5 | 115 | 575 |
| 590-T5 | 118 | 590 |
| 600-T5 | 120 | 600 |
| 610-T5 | 122 | 610 |
| 620-T5 | 124 | 620 |
| 625-T5 | 125 | 625 |
| 630-T5 | 126 | 630 |
| 640-T5 | 128 | 640 |
| 650-T5 | 130 | 650 |
| 660-T5 | 132 | 660 |
| 675-T5 | 135 | 675 |
| 690-T5 | 138 | 690 |
| 700-T5 | 140 | 700 |
| 720-T5 | 144 | 720 |
| 750-T5 | 150 | 750 |
| 780-T5 | 156 | 780 |
| 815-T5 | 163 | 815 |
| 830-T5 | 166 | 830 |
| 840-T5 | 168 | 840 |
| 860-T5 | 172 | 860 |
| 885-T5 | 177 | 885 |
| 900-T5 | 180 | 900 |
| 940-T5 | 188 | 940 |
| 990-T5 | 198 | 990 |
| 1075-T5 | 215 | 1075 |
| 1100-T5 | 220 | 1100 |
| 1160-T5 | 232 | 1160 |
| 1200-T5 * | 240 | 1200 |
| 1215-T5 | 243 | 1215 |
| 1275-T5 | 255 | 1275 |
| 1280-T5 | 256 | 1280 |
| 1315-T5 | 263 | 1315 |
| 1355-T5 | 271 | 1355 |
| 1380-T5 | 276 | 1380 |
| 1440-T5 | 288 | 1440 |
| 1955-T5 | 391 | 1955 |

Standard widths of:-

10mm Code = Length-T5-10

16mm Code = Length-T5-16

25mm Code = Length-T5-25

Long length up to 32mm wide is
available

* Size available on request



Metric Timing Belts T10



| | Pitch (mm) | T | B |
|-----|------------|------|------|
| T10 | 10.00 | 2.50 | 4.50 |

| Belt | Teeth | Pitch Length |
|---------|-------|--------------|
| 260-T10 | 26 | 260 |
| 340-T10 | 34 | 340 |
| 370-T10 | 37 | 370 |
| 390-T10 | 39 | 390 |
| 400-T10 | 40 | 400 |
| 410-T10 | 41 | 410 |
| 440-T10 | 44 | 440 |
| 450-T10 | 45 | 450 |
| 480-T10 | 48 | 480 |
| 500-T10 | 50 | 500 |
| 530-T10 | 53 | 530 |
| 560-T10 | 56 | 560 |
| 600-T10 | 60 | 600 |
| 610-T10 | 61 | 610 |
| 630-T10 | 63 | 630 |
| 660-T10 | 66 | 660 |
| 690-T10 | 69 | 690 |
| 700-T10 | 70 | 700 |
| 720-T10 | 72 | 720 |
| 730-T10 | 73 | 730 |
| 750-T10 | 75 | 750 |
| 780-T10 | 78 | 780 |
| 810-T10 | 81 | 810 |
| 840-T10 | 84 | 840 |
| 850-T10 | 85 | 850 |
| 880-T10 | 88 | 880 |
| 890-T10 | 89 | 890 |
| 900-T10 | 90 | 900 |
| 910-T10 | 91 | 910 |
| 920-T10 | 92 | 920 |
| 960-T10 | 96 | 960 |
| 970-T10 | 97 | 970 |
| 980-T10 | 98 | 980 |

| Belt | Teeth | Pitch Length |
|----------|-------|--------------|
| 1010-T10 | 101 | 1010 |
| 1080-T10 | 108 | 1080 |
| 1100-T10 | 110 | 1100 |
| 1110-T10 | 111 | 1110 |
| 1140-T10 | 114 | 1140 |
| 1150-T10 | 115 | 1150 |
| 1210-T10 | 121 | 1210 |
| 1240-T10 | 124 | 1240 |
| 1250-T10 | 125 | 1250 |
| 1300-T10 | 130 | 1300 |
| 1320-T10 | 132 | 1320 |
| 1350-T10 | 135 | 1350 |
| 1390-T10 | 139 | 1390 |
| 1400-T10 | 140 | 1400 |
| 1420-T10 | 142 | 1420 |
| 1450-T10 | 145 | 1450 |
| 1460-T10 | 146 | 1460 |
| 1500-T10 | 150 | 1500 |
| 1560-T10 | 156 | 1560 |
| 1610-T10 | 161 | 1610 |
| 1750-T10 | 175 | 1750 |
| 1780-T10 | 178 | 1780 |
| 1800-T10 | 180 | 1800 |
| 1880-T10 | 188 | 1880 |
| 1960-T10 | 196 | 1960 |
| 2250-T10 | 225 | 2250 |

Standard widths of:-
 16mm Code = Length-T10-16
 25mm Code = Length-T10-25
 32mm Code = Length-T10-32
 50mm Code = Length-T10-50

Long Length up to 100mm wide is available



Metric Double Sided Timing Belts T5 & T10



| | Pitch (mm) | T | B |
|-----|------------|------|------|
| T5 | 5.00 | 1.20 | 3.30 |
| T10 | 10.00 | 2.50 | 6.70 |



| Belt | Teeth | Pitch Length |
|-----------|-------|--------------|
| 260-T5DL | 52 | 260 |
| 410-T5DL | 82 | 410 |
| 460-T5DL | 92 | 460 |
| 480-T5DL | 96 | 480 |
| 515-T5DL | 103 | 515 |
| 590-T5DL | 118 | 590 |
| 620-T5DL | 124 | 620 |
| 750-T5DL | 150 | 750 |
| 815-T5DL | 163 | 815 |
| 860-T5DL | 172 | 860 |
| 940-T5DL | 188 | 940 |
| 1100-T5DL | 220 | 1100 |

Standard widths of:-
 10mm Code = Length-T5-10
 16mm Code = Length-T5-16
 25mm Code = Length-T5-25

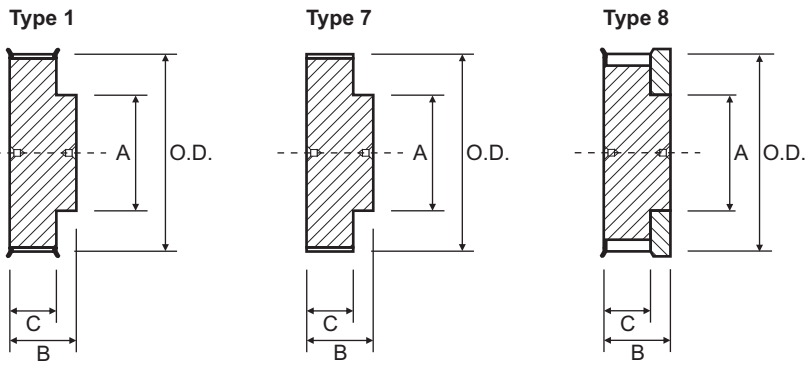
Off standard widths are available on request

| Belt | Teeth | Pitch Length |
|------------|-------|--------------|
| 260-T10DL | 26 | 260 |
| 530-T10DL | 53 | 530 |
| 600-T10DL | 60 | 600 |
| 630-T10DL | 63 | 630 |
| 660-T10DL | 66 | 660 |
| 720-T10DL | 72 | 720 |
| 840-T10DL | 84 | 840 |
| 920-T10DL | 92 | 920 |
| 980-T10DL | 98 | 980 |
| 1100-T10DL | 110 | 1100 |
| 1210-T10DL | 121 | 1210 |
| 1240-T10DL | 124 | 1240 |
| 1250-T10DL | 125 | 1250 |
| 1320-T10DL | 132 | 1320 |
| 1350-T10DL | 135 | 1350 |
| 1420-T10DL | 142 | 1420 |
| 1610-T10DL | 161 | 1610 |
| 1880-T10DL | 188 | 1880 |

Standard widths of:-
 16mm Code = Length-T10-16
 25mm Code = Length-T10-25
 32mm Code = Length-T10-32
 50mm Code = Length-T10-50

Off standard widths are available on request

T2.5 Metric Timing Pulleys

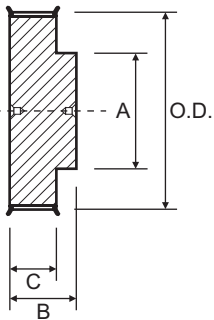


| T2.5-6 | | | | | |
|--------------------|------|------|------|------|----------------------|
| Suit 6mm wide belt | | | | | |
| Part No. | O.D. | Type | A | B | C = 10.0 |
| 12-T2.5-6F | 9.0 | 8 | 6.5 | 16.0 | Aluminium Flanged |
| 14-T2.5-6F | 10.6 | 8 | 8.5 | 16.0 | |
| 15-T2.5-6F | 11.4 | 8 | 10.0 | 16.0 | |
| 16-T2.5-6F. | 12.2 | 1 | 9.0 | 16.0 | |
| 18-T2.5-6F | 13.8 | 1 | 9.0 | 16.0 | |
| 19-T2.5-6F | 14.6 | 1 | 9.0 | 16.0 | |
| 20-T2.5-6F | 15.4 | 1 | 11.0 | 16.0 | |
| 22-T2.5-6F | 17.0 | 1 | 11.0 | 16.0 | |
| 24-T2.5-6F | 18.6 | 1 | 12.0 | 16.0 | |
| 25-T2.5-6F | 19.4 | 1 | 13.0 | 16.0 | |
| 26-T2.5-6F | 20.2 | 1 | 14.0 | 16.0 | |
| 28-T2.5-6F | 21.8 | 1 | 14.0 | 16.0 | |
| 30-T2.5-6F | 23.4 | 1 | 16.0 | 16.0 | |
| 32-T2.5-6F | 25.0 | 1 | 16.0 | 16.0 | |
| 36-T2.5-6F | 28.1 | 1 | 20.0 | 16.0 | |
| 40-T2.5-6F | 31.3 | 1 | 22.0 | 16.0 | |
| 44-T2.5-6F | 34.5 | 1 | 24.0 | 16.0 | |
| 48-T2.5-6 | 37.7 | 7 | 28.0 | 16.0 | |
| 60-T2.5-6 | 47.3 | 7 | 34.0 | 16.0 | |

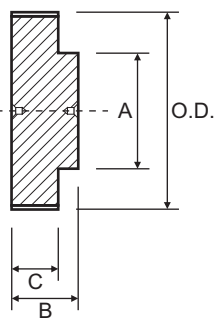
N.F. - No Flanges

T5 Metric Timing Pulleys

Type 1



Type 7



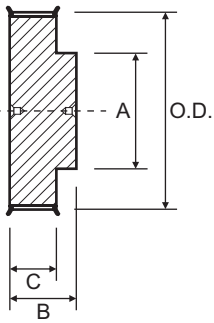
| T5-10 | | | | | | T5-16 | | | | | | | |
|---------------------|------|------|------|------|---------------------|---------------------|------|------|------|------|---------------------|--|------|
| Suit 10mm wide belt | | | | | | Suit 16mm wide belt | | | | | | | |
| Part No. | O.D. | Type | A | B | C = 15.0 | Part No. | O.D. | Type | A | B | C = 21.0 | | |
| 10-T5-10F | 15.1 | 1 | 8.0 | 21.0 | Aluminum Flanged | 10-T5-16F | 15.1 | 1 | 8.0 | 27.0 | Aluminum Flanged | | |
| 12-T5-10F | 18.3 | 1 | 11.0 | 21.0 | | 12-T5-16F | 18.3 | 1 | 11.0 | 27.0 | | | |
| 14-T5-10F | 21.5 | 1 | 14.0 | 21.0 | | 14-T5-16F | 21.5 | 1 | 14.0 | 27.0 | | | |
| 15-T5-10F | 23.1 | 1 | 16.0 | 21.0 | | 15-T5-16F | 23.1 | 1 | 16.0 | 27.0 | | | |
| 16-T5-10F | 24.6 | 1 | 18.0 | 21.0 | | 16-T5-16F | 24.6 | 1 | 18.0 | 27.0 | | | |
| 18-T5-10F | 27.8 | 1 | 20.0 | 21.0 | | 18-T5-16F | 27.8 | 1 | 20.0 | 27.0 | | | |
| 19-T5-10F | 29.4 | 1 | 22.0 | 21.0 | | 19-T5-16F | 29.4 | 1 | 22.0 | 27.0 | | | |
| 20-T5-10F | 31.0 | 1 | 23.0 | 21.0 | | 20-T5-16F | 31.0 | 1 | 23.0 | 27.0 | | | |
| 22-T5-10F | 34.3 | 1 | 24.0 | 21.0 | | 22-T5-16F | 34.3 | 1 | 24.0 | 27.0 | | | |
| 24-T5-10F | 37.4 | 1 | 26.0 | 21.0 | | 24-T5-16F | 37.4 | 1 | 26.0 | 27.0 | | | |
| 25-T5-10F | 39.0 | 1 | 26.0 | 21.0 | | 25-T5-16F | 39.0 | 1 | 26.0 | 27.0 | | | |
| 26-T5-10F | 40.6 | 1 | 26.0 | 21.0 | | 26-T5-16F | 40.6 | 1 | 26.0 | 27.0 | | | |
| 27-T5-10F | 42.2 | 1 | 30.0 | 21.0 | | 27-T5-16F | 42.2 | 1 | 30.0 | 27.0 | | | |
| 28-T5-10F | 43.8 | 1 | 32.0 | 21.0 | | 28-T5-16F | 43.8 | 1 | 32.0 | 27.0 | | | |
| 30-T5-10F | 47.0 | 1 | 34.0 | 21.0 | | 30-T5-16F | 47.0 | 1 | 34.0 | 27.0 | | | |
| 32-T5-10F | 50.1 | 1 | 38.0 | 21.0 | | 32-T5-16F | 50.1 | 1 | 38.0 | 27.0 | | | |
| 36-T5-10F | 56.5 | 1 | 38.0 | 21.0 | | 36-T5-16F | 56.5 | 1 | 38.0 | 27.0 | | | |
| 40-T5-10F | 62.9 | 1 | 40.0 | 21.0 | | 40-T5-16F | 62.9 | 1 | 40.0 | 27.0 | | | |
| 42-T5-10F | 66.0 | 1 | 40.0 | 21.0 | | 42-T5-16F | 66.0 | 1 | 40.0 | 27.0 | | | |
| 44-T5-10 | 69.2 | 7 | 45.0 | 21.0 | | 44-T5-16 | 69.2 | 7 | 45.0 | 27.0 | | | |
| 48-T5-10 | 75.6 | 7 | 50.0 | 21.0 | | 48-T5-16 | 75.6 | 7 | 50.0 | 27.0 | | | |
| 60-T5-10 | 94.7 | 7 | 65.0 | 21.0 | | 60-T5-16 | 94.7 | 7 | 65.0 | 27.0 | | | |
| | | | | | | N.F. | | | | | | | N.F. |

N.F. - No Flanges

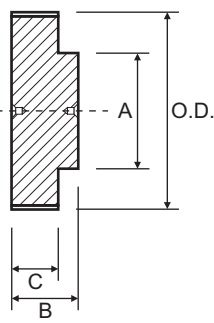


T5 Metric Timing Pulleys

Type 1



Type 7

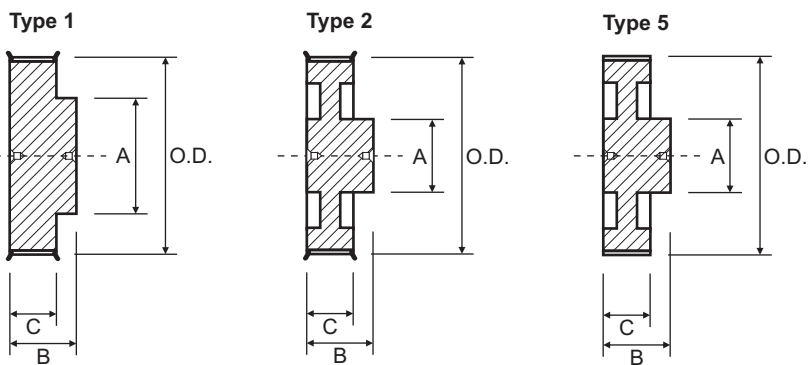


| T5-25 | | | | | |
|---------------------|------|------|------|------|----------------------|
| Suit 25mm wide belt | | | | | |
| Part No. | O.D. | Type | A | B | C = 30.0 |
| 10-T5-25F | 15.1 | 1 | 8.0 | 36.0 | Aluminium Flanged |
| 12-T5-25F | 18.3 | 1 | 11.0 | 36.0 | |
| 14-T5-25F | 21.5 | 1 | 14.0 | 36.0 | |
| 15-T5-25F | 23.1 | 1 | 16.0 | 36.0 | |
| 16-T5-25F | 24.6 | 1 | 18.0 | 36.0 | |
| 18-T5-25F | 27.8 | 1 | 20.0 | 36.0 | |
| 19-T5-25F | 29.4 | 1 | 22.0 | 36.0 | |
| 20-T5-25F | 31.0 | 1 | 23.0 | 36.0 | |
| 22-T5-25F | 34.3 | 1 | 24.0 | 36.0 | |
| 24-T5-25F | 37.4 | 1 | 26.0 | 36.0 | |
| 25-T5-25F | 39.0 | 1 | 26.0 | 36.0 | |
| 26-T5-25F | 40.6 | 1 | 26.0 | 36.0 | |
| 27-T5-25F | 42.2 | 1 | 30.0 | 36.0 | |
| 28-T5-25F | 43.8 | 1 | 32.0 | 36.0 | |
| 30-T5-25F | 47.0 | 1 | 34.0 | 36.0 | |
| 32-T5-25F | 50.1 | 1 | 38.0 | 36.0 | |
| 36-T5-25F | 56.5 | 1 | 38.0 | 36.0 | |
| 40-T5-25F | 62.9 | 1 | 40.0 | 36.0 | |
| 42-T5-25F | 66.0 | 1 | 40.0 | 36.0 | |
| 44-T5-25 | 69.2 | 7 | 45.0 | 36.0 | |
| 48-T5-25 | 75.6 | 7 | 50.0 | 36.0 | |
| 60-T5-25 | 94.7 | 7 | 65.0 | 36.0 | |

N.F. - No Flanges



T10 Metric Timing Pulleys



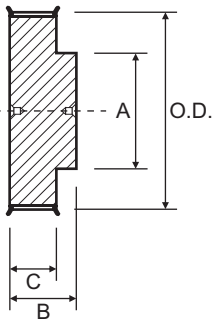
| T10-16 | | | | | T10-25 | | | | | | |
|---------------------|-------|------|-------|------|---------------------|------------|-------|-------|------|------|---------------------|
| Suit 16mm wide belt | | | | | Suit 25mm wide belt | | | | | | |
| Part No. | O.D. | Type | A | B | C = 21.0 | Part No. | O.D. | Type | A | B | C = 30.0 |
| 12-T10-16F | 36.4 | 1 | 28.0 | 31.0 | Aluminum Flanged | 12-T10-25F | 36.4 | 1 | 28.0 | 40.0 | Aluminum Flanged |
| 14-T10-16F | 42.7 | 1 | 32.0 | 31.0 | | 14-T10-25F | 42.7 | 1 | 32.0 | 40.0 | |
| 15-T10-16F | 45.9 | 1 | 32.0 | 31.0 | | 15-T10-25F | 45.9 | 1 | 32.0 | 40.0 | |
| 16-T10-16F | 49.1 | 1 | 35.0 | 31.0 | | 16-T10-25F | 49.1 | 1 | 35.0 | 40.0 | |
| 18-T10-16F | 55.5 | 1 | 40.0 | 31.0 | | 18-T10-25F | 55.5 | 1 | 40.0 | 40.0 | |
| 19-T10-16F | 58.6 | 1 | 44.0 | 31.0 | | 19-T10-25F | 58.6 | 1 | 44.0 | 40.0 | |
| 20-T10-16F | 61.8 | 1 | 46.0 | 31.0 | | 20-T10-25F | 61.8 | 1 | 46.0 | 40.0 | |
| 22-T10-16F | 68.2 | 1 | 52.0 | 31.0 | | 22-T10-25F | 68.2 | 1 | 52.0 | 40.0 | |
| 24-T10-16F | 74.6 | 1 | 58.0 | 31.0 | | 24-T10-25F | 74.6 | 1 | 58.0 | 40.0 | |
| 25-T10-16F | 77.7 | 1 | 60.0 | 31.0 | | 25-T10-25F | 77.7 | 1 | 60.0 | 40.0 | |
| 26-T10-16F | 80.9 | 1 | 60.0 | 31.0 | | 26-T10-25F | 80.9 | 1 | 60.0 | 40.0 | |
| 27-T10-16F | 84.1 | 1 | 60.0 | 31.0 | | 27-T10-25F | 84.1 | 1 | 60.0 | 40.0 | |
| 28-T10-16F | 87.3 | 1 | 60.0 | 31.0 | | 28-T10-25F | 87.3 | 1 | 60.0 | 40.0 | |
| 30-T10-16F | 93.7 | 1 | 60.0 | 31.0 | | 30-T10-25F | 93.7 | 1 | 60.0 | 40.0 | |
| 32-T10-16F | 100.0 | 1 | 65.0 | 31.0 | | 32-T10-25F | 100.0 | 1 | 65.0 | 40.0 | |
| 36-T10-16F | 112.8 | 1 | 70.0 | 31.0 | 36-T10-25F | 112.8 | 1 | 70.0 | 40.0 | | |
| 40-T10-16F | 125.5 | 2 | 80.0 | 31.0 | 40-T10-25F | 125.5 | 2 | 80.0 | 40.0 | | |
| 44-T10-16 | 138.2 | 5 | 88.0 | 31.0 | 44-T10-25 | 138.2 | 5 | 88.0 | 40.0 | | |
| 48-T10-16 | 151.0 | 5 | 95.0 | 31.0 | 48-T10-25 | 151.0 | 5 | 95.0 | 40.0 | | |
| 60-T10-16 | 189.1 | 5 | 110.0 | 31.0 | 60-T10-25 | 189.1 | 5 | 110.0 | 40.0 | | |
| | | | | | N.F. | | | | | | N.F. |

N.F. - No Flanges

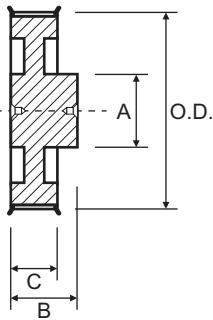


T10 Metric Timing Pulleys

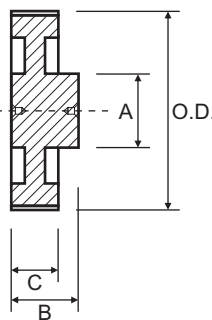
Type 1



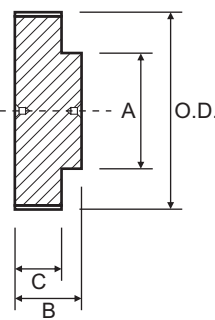
Type 2



Type 5



Type 7



| T10-32 | | | | | T10-50 | | | | | | |
|---------------------|-------|------|-------|------|---------------------|------------|-------|------|-------|------|---------------------|
| Suit 32mm wide belt | | | | | Suit 50mm wide belt | | | | | | |
| Part No. | O.D. | Type | A | B | C = 37.0 | Part No. | O.D. | Type | A | B | C = 56.0 |
| 18-T10-32F | 55.5 | 1 | 40.0 | 47.0 | Aluminum Flanged | 18-T10-50F | 55.5 | 1 | 40.0 | 66.0 | Aluminum Flanged |
| 19-T10-32F | 58.6 | 1 | 44.0 | 47.0 | | 19-T10-50F | 58.6 | 1 | 44.0 | 66.0 | |
| 20-T10-32F | 61.8 | 1 | 46.0 | 47.0 | | 20-T10-50F | 61.8 | 1 | 46.0 | 66.0 | |
| 22-T10-32F | 68.2 | 1 | 52.0 | 47.0 | | 22-T10-50F | 68.2 | 1 | 52.0 | 66.0 | |
| 24-T10-32F | 74.6 | 1 | 58.0 | 47.0 | | 24-T10-50F | 74.6 | 1 | 58.0 | 66.0 | |
| 25-T10-32F | 77.7 | 1 | 60.0 | 47.0 | | 25-T10-50F | 77.7 | 1 | 60.0 | 66.0 | |
| 26-T10-32F | 80.9 | 1 | 60.0 | 47.0 | | 26-T10-50F | 80.9 | 1 | 60.0 | 66.0 | |
| 27-T10-32F | 84.1 | 1 | 60.0 | 47.0 | | 27-T10-50F | 84.1 | 1 | 60.0 | 66.0 | |
| 28-T10-32F | 87.3 | 1 | 60.0 | 47.0 | | 28-T10-50F | 87.3 | 1 | 60.0 | 66.0 | |
| 30-T10-32F | 93.7 | 1 | 60.0 | 47.0 | | 30-T10-50F | 93.7 | 1 | 60.0 | 66.0 | |
| 32-T10-32F | 100.0 | 1 | 65.0 | 47.0 | | 32-T10-50F | 100.0 | 1 | 65.0 | 66.0 | |
| 36-T10-32F | 112.8 | 1 | 70.0 | 47.0 | | 36-T10-50F | 112.8 | 1 | 70.0 | 66.0 | |
| 40-T10-32F | 125.5 | 2 | 80.0 | 47.0 | | 40-T10-50F | 125.5 | 2 | 80.0 | 66.0 | |
| 44-T10-32 | 138.2 | 5 | 88.0 | 47.0 | | 44-T10-50 | 138.2 | 5 | 88.0 | 66.0 | |
| 48-T10-32 | 151.0 | 5 | 95.0 | 47.0 | | 48-T10-50 | 151.0 | 5 | 95.0 | 66.0 | |
| 60-T10-32 | 189.1 | 5 | 110.0 | 47.0 | | 60-T10-50 | 189.1 | 5 | 110.0 | 66.0 | |

N.F. - No Flanges



Metric Timing Belts AT5 & AT10



| | Pitch (mm) | T | B |
|------|------------|------|------|
| AT5 | 5.00 | 1.20 | 2.50 |
| AT10 | 10.00 | 2.70 | 4.50 |

| Belt | Teeth | Pitch Length |
|------------|-------|--------------|
| 225-AT5 | 45 | 225 |
| 255-AT5 | 51 | 255 |
| 275-AT5 * | 55 | 275 |
| 280-AT5 | 56 | 280 |
| 300-AT5 | 60 | 300 |
| 340-AT5 * | 68 | 340 |
| 375-AT5 | 75 | 375 |
| 390-AT5 | 78 | 390 |
| 420-AT5 | 84 | 420 |
| 450-AT5 | 90 | 450 |
| 455-AT5 | 91 | 455 |
| 500-AT5 | 100 | 500 |
| 545-AT5 | 109 | 545 |
| 600-AT5 | 120 | 600 |
| 610-AT5 * | 122 | 610 |
| 630-AT5 * | 126 | 630 |
| 660-AT5 | 132 | 660 |
| 710-AT5 | 142 | 710 |
| 720-AT5 | 144 | 720 |
| 750-AT5 | 150 | 750 |
| 780-AT5 | 156 | 780 |
| 825-AT5 | 165 | 825 |
| 860-AT5 | 172 | 860 |
| 975-AT5 | 195 | 975 |
| 1050-AT5 | 210 | 1050 |
| 1125-AT5 | 225 | 1125 |
| 1500-AT5 * | 300 | 1500 |
| 2000-AT5 | 400 | 2000 |

Standard widths of:-
 10mm Code = Length-AT5-10
 16mm Code = Length-AT5-16
 25mm Code = Length-AT5-25

Long Length up to 32mm wide is available

* Size available on request

| Belt | Teeth | Pitch Length |
|------------|-------|--------------|
| 500-AT10 | 50 | 500 |
| 530-AT10 | 53 | 530 |
| 560-AT10 | 56 | 560 |
| 600-AT10 | 60 | 600 |
| 610-AT10 | 61 | 610 |
| 660-AT10 | 66 | 660 |
| 700-AT10 | 70 | 700 |
| 730-AT10 | 73 | 730 |
| 780-AT10 | 78 | 780 |
| 800-AT10 | 80 | 800 |
| 810-AT10 * | 81 | 810 |
| 840-AT10 | 84 | 840 |
| 890-AT10 | 89 | 890 |
| 920-AT10 | 92 | 920 |
| 960-AT10 | 96 | 960 |
| 980-AT10 | 98 | 980 |
| 1000-AT10 | 100 | 1000 |
| 1010-AT10 | 101 | 1010 |
| 1050-AT10 | 105 | 1050 |
| 1080-AT10 | 108 | 1080 |
| 1100-AT10 | 110 | 1100 |
| 1150-AT10 | 115 | 1150 |
| 1200-AT10 | 120 | 1200 |
| 1210-AT10 | 121 | 1210 |

| Belt | Teeth | Pitch Length |
|-----------|-------|--------------|
| 1250-AT10 | 125 | 1250 |
| 1280-AT10 | 128 | 1280 |
| 1300-AT10 | 130 | 1300 |
| 1320-AT10 | 132 | 1320 |
| 1350-AT10 | 135 | 1350 |
| 1360-AT10 | 136 | 1360 |
| 1400-AT10 | 140 | 1400 |
| 1420-AT10 | 142 | 1420 |
| 1480-AT10 | 148 | 1480 |
| 1500-AT10 | 150 | 1500 |
| 1600-AT10 | 160 | 1600 |
| 1700-AT10 | 170 | 1700 |
| 1720-AT10 | 172 | 1720 |
| 1800-AT10 | 180 | 1800 |
| 1860-AT10 | 186 | 1860 |
| 1940-AT10 | 194 | 1940 |

Standard widths of:-
 16mm Code = Length-AT5-16
 25mm Code = Length-AT5-25
 32mm Code = Length-AT10-32
 50mm Code = Length-AT10-50

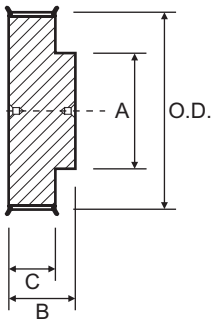
Long Length up to 32mm wide is available

* Size available on request

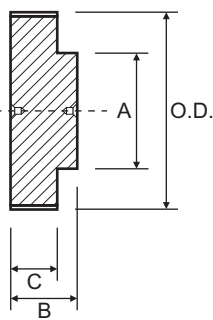


AT5 Metric Timing Pulleys

Type 1



Type 7



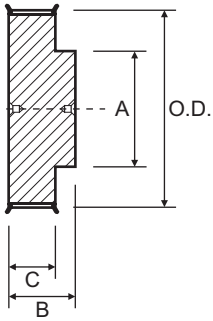
| AT5-10 | | | | | AT5-16 | | | | | | |
|---------------------|------|------|------|------|----------------------|------------|------|------|------|------|----------------------|
| Suit 10mm wide belt | | | | | Suit 16mm wide belt | | | | | | |
| Part No. | O.D. | Type | A | B | C = 15.0 | Part No. | O.D. | Type | A | B | C = 21.0 |
| 12-AT5-10F | 17.9 | 1 | 11.0 | 21.0 | Aluminium Flanged | 12-AT5-16F | 17.9 | 1 | 11.0 | 27.0 | Aluminium Flanged |
| 14-AT5-10F | 21.1 | 1 | 14.0 | 21.0 | | 14-AT5-16F | 21.1 | 1 | 14.0 | 27.0 | |
| 15-AT5-10F | 22.7 | 1 | 16.0 | 21.0 | | 15-AT5-16F | 22.7 | 1 | 16.0 | 27.0 | |
| 16-AT5-10F | 24.2 | 1 | 18.0 | 21.0 | | 16-AT5-16F | 24.2 | 1 | 18.0 | 27.0 | |
| 18-AT5-10F | 27.4 | 1 | 20.0 | 21.0 | | 18-AT5-16F | 27.4 | 1 | 20.0 | 27.0 | |
| 19-AT5-10F | 29.0 | 1 | 22.0 | 21.0 | | 19-AT5-16F | 29.0 | 1 | 22.0 | 27.0 | |
| 20-AT5-10F | 30.6 | 1 | 23.0 | 21.0 | | 20-AT5-16F | 30.6 | 1 | 23.0 | 27.0 | |
| 22-AT5-10F | 34.9 | 1 | 24.0 | 21.0 | | 22-AT5-16F | 34.9 | 1 | 24.0 | 27.0 | |
| 24-AT5-10F | 37.0 | 1 | 26.0 | 21.0 | | 24-AT5-16F | 37.0 | 1 | 26.0 | 27.0 | |
| 25-AT5-10F | 38.6 | 1 | 26.0 | 21.0 | | 25-AT5-16F | 38.6 | 1 | 26.0 | 27.0 | |
| 26-AT5-10F | 40.2 | 1 | 26.0 | 21.0 | | 26-AT5-16F | 40.2 | 1 | 26.0 | 27.0 | |
| 27-AT5-10F | 41.8 | 1 | 30.0 | 21.0 | | 27-AT5-16F | 41.8 | 1 | 30.0 | 27.0 | |
| 28-AT5-10F | 43.4 | 1 | 32.0 | 21.0 | | 28-AT5-16F | 43.4 | 1 | 32.0 | 27.0 | |
| 30-AT5-10F | 46.6 | 1 | 34.0 | 21.0 | | 30-AT5-16F | 46.6 | 1 | 34.0 | 27.0 | |
| 32-AT5-10F | 49.7 | 1 | 38.0 | 21.0 | | 32-AT5-16F | 49.7 | 1 | 38.0 | 27.0 | |
| 36-AT5-10F | 56.1 | 1 | 38.0 | 21.0 | | 36-AT5-16F | 56.1 | 1 | 38.0 | 27.0 | |
| 40-AT5-10F | 62.5 | 1 | 40.0 | 21.0 | | 40-AT5-16F | 62.5 | 1 | 40.0 | 27.0 | |
| 42-AT5-10F | 65.6 | 1 | 40.0 | 21.0 | | 42-AT5-16F | 65.6 | 1 | 40.0 | 27.0 | |
| 44-AT5-10 | 68.8 | 7 | 45.0 | 21.0 | | 44-AT5-16 | 68.8 | 7 | 45.0 | 27.0 | |
| 48-AT5-10 | 75.2 | 7 | 50.0 | 21.0 | | 48-AT5-16 | 75.2 | 7 | 50.0 | 27.0 | |
| 60-AT5-10 | 94.3 | 7 | 65.0 | 21.0 | 60-AT5-16 | 94.3 | 7 | 65.0 | 27.0 | | |
| | | | | | N.F. | | | | | | N.F. |

N.F. - No Flanges

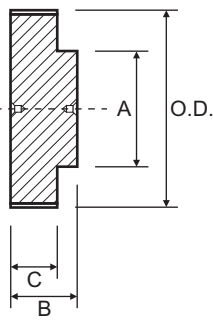


AT5 Metric Timing Pulleys

Type 1



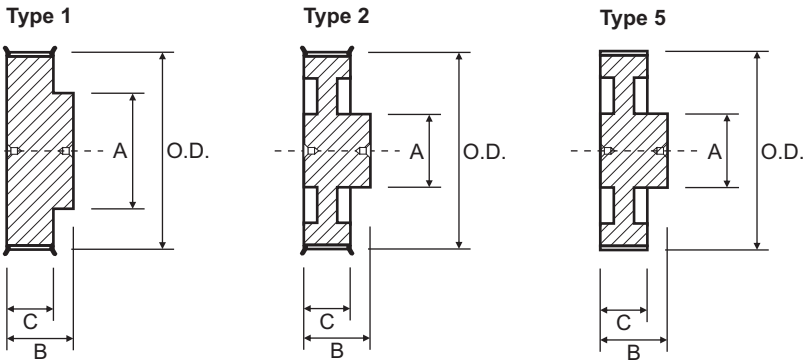
Type 7



| AT5-25 | | | | | | |
|---------------------|------|------|------|------|----------------------|------|
| Suit 25mm wide belt | | | | | | |
| Part No. | O.D. | Type | A | B | C = 30.0 | |
| 12-AT5-25F | 17.9 | 1 | 11.0 | 36.0 | Aluminium Flanged | |
| 14-AT5-25F | 21.1 | 1 | 14.0 | 36.0 | | |
| 15-AT5-25F | 22.7 | 1 | 16.0 | 36.0 | | |
| 16-AT5-25F | 24.2 | 1 | 18.0 | 36.0 | | |
| 18-AT5-25F | 27.4 | 1 | 20.0 | 36.0 | | |
| 19-AT5-25F | 29.0 | 1 | 22.0 | 36.0 | | |
| 20-AT5-25F | 30.6 | 1 | 23.0 | 36.0 | | |
| 22-AT5-25F | 34.9 | 1 | 24.0 | 36.0 | | |
| 24-AT5-25F | 37.0 | 1 | 26.0 | 36.0 | | |
| 25-AT5-25F | 38.6 | 1 | 26.0 | 36.0 | | |
| 26-AT5-25F | 40.2 | 1 | 26.0 | 36.0 | | |
| 27-AT5-25F | 41.8 | 1 | 30.0 | 36.0 | | |
| 28-AT5-25F | 43.4 | 1 | 32.0 | 36.0 | | |
| 30-AT5-25F | 46.6 | 1 | 34.0 | 36.0 | | |
| 32-AT5-25F | 49.7 | 1 | 38.0 | 36.0 | | |
| 36-AT5-25F | 56.1 | 1 | 38.0 | 36.0 | | |
| 40-AT5-25F | 62.5 | 1 | 40.0 | 36.0 | | |
| 42-AT5-25F | 65.6 | 1 | 40.0 | 36.0 | | |
| 44-AT5-25 | 68.8 | 7 | 45.0 | 36.0 | | N.F. |
| 48-AT5-25 | 75.2 | 7 | 50.0 | 36.0 | | |
| 60-AT5-25 | 94.3 | 7 | 65.0 | 36.0 | | |

N.F. - No Flanges

AT10 Metric Timing Pulleys

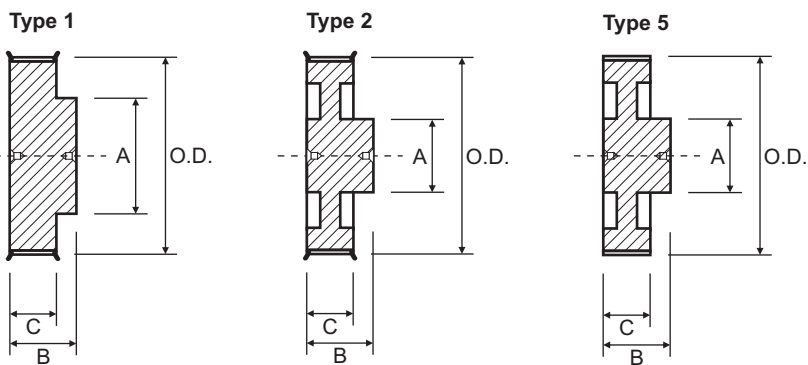


| AT10-16 | | | | | | AT10-25 | | | | | |
|---------------------|-------|------|-------|------|---------------------|---------------------|------------|-------|-------|------|---------------------|
| Suit 16mm wide belt | | | | | | Suit 25mm wide belt | | | | | |
| Part No. | O.D. | Type | A | B | C = 21.0 | Part No. | O.D. | Type | A | B | C = 30.0 |
| 15-AT10-16F | 45.9 | 1 | 32.0 | 31.0 | Aluminum Flanges | 15-AT10-25F | 45.9 | 1 | 32.0 | 40.0 | Aluminum Flanges |
| 16-AT10-16F | 49.1 | 1 | 35.0 | 31.0 | | 16-AT10-25F | 49.1 | 1 | 35.0 | 40.0 | |
| 18-AT10-16F | 55.5 | 1 | 40.0 | 31.0 | | 18-AT10-25F | 55.5 | 1 | 40.0 | 40.0 | |
| 19-AT10-16F | 58.6 | 1 | 44.0 | 31.0 | | 19-AT10-25F | 58.6 | 1 | 44.0 | 40.0 | |
| 20-AT10-16F | 61.8 | 1 | 46.0 | 31.0 | | 20-AT10-25F | 61.8 | 1 | 46.0 | 40.0 | |
| 22-AT10-16F | 68.2 | 1 | 52.0 | 31.0 | | 22-AT10-25F | 68.2 | 1 | 52.0 | 40.0 | |
| 24-AT10-16F | 74.6 | 1 | 58.0 | 31.0 | | 24-AT10-25F | 74.6 | 1 | 58.0 | 40.0 | |
| 25-AT10-16F | 77.7 | 1 | 60.0 | 31.0 | | 25-AT10-25F | 77.7 | 1 | 60.0 | 40.0 | |
| 26-AT10-16F | 80.9 | 1 | 60.0 | 31.0 | | 26-AT10-25F | 80.9 | 1 | 60.0 | 40.0 | |
| 27-AT10-16F | 84.1 | 1 | 60.0 | 31.0 | | 27-AT10-25F | 84.1 | 1 | 60.0 | 40.0 | |
| 28-AT10-16F | 87.3 | 1 | 60.0 | 31.0 | | 28-AT10-25F | 87.3 | 1 | 60.0 | 40.0 | |
| 30-AT10-16F | 93.7 | 1 | 60.0 | 31.0 | | 30-AT10-25F | 93.7 | 1 | 60.0 | 40.0 | |
| 32-AT10-16F | 100.0 | 1 | 65.0 | 31.0 | | 32-AT10-25F | 100.0 | 1 | 65.0 | 40.0 | |
| 36-AT10-16F | 112.8 | 1 | 70.0 | 31.0 | | 36-AT10-25F | 112.8 | 1 | 70.0 | 40.0 | |
| 40-AT10-16F | 125.5 | 2 | 80.0 | 31.0 | | 40-AT10-25F | 125.5 | 2 | 80.0 | 40.0 | |
| 44-AT10-16 | 138.2 | 5 | 88.0 | 31.0 | | N.F. | 44-AT10-25 | 138.2 | 5 | 88.0 | |
| 48-AT10-16 | 151.0 | 5 | 95.0 | 31.0 | N.F. | 48-AT10-25 | 151.0 | 5 | 95.0 | 40.0 | |
| 60-AT10-16 | 189.1 | 5 | 110.0 | 31.0 | N.F. | 60-AT10-25 | 189.1 | 5 | 110.0 | 40.0 | |

N.F. - No Flanges



AT10 Metric Timing Pulleys



| AT10-32 | | | | | AT10-50 | | | | | | |
|---------------------|-------|------|-------|------|---------------------|-------------|-------|-------|------|------|----------|
| Suit 32mm wide belt | | | | | Suit 50mm wide belt | | | | | | |
| Part No. | O.D. | Type | A | B | C = 37.0 | Part No. | O.D. | Type | A | B | C = 56.0 |
| 18-AT10-32F | 55.5 | 1 | 40.0 | 47.0 | Aluminum | 18-AT10-50F | 55.5 | 1 | 40.0 | 66.0 | Aluminum |
| 19-AT10-32F | 58.6 | 1 | 44.0 | 47.0 | | 19-AT10-50F | 58.6 | 1 | 44.0 | 66.0 | |
| 20-AT10-32F | 61.8 | 1 | 46.0 | 47.0 | | 20-AT10-50F | 61.8 | 1 | 46.0 | 66.0 | |
| 22-AT10-32F | 68.2 | 1 | 52.0 | 47.0 | | 22-AT10-50F | 68.2 | 1 | 52.0 | 66.0 | |
| 24-AT10-32F | 74.6 | 1 | 58.0 | 47.0 | | 24-AT10-50F | 74.6 | 1 | 58.0 | 66.0 | |
| 25-AT10-32F | 77.7 | 1 | 60.0 | 47.0 | | 25-AT10-50F | 77.7 | 1 | 60.0 | 66.0 | |
| 26-AT10-32F | 80.9 | 1 | 60.0 | 47.0 | | 26-AT10-32F | 80.9 | 1 | 60.0 | 66.0 | |
| 27-AT10-32F | 84.1 | 1 | 60.0 | 47.0 | | 27-AT10-50F | 84.1 | 1 | 60.0 | 66.0 | |
| 28-AT10-32F | 87.3 | 1 | 60.0 | 47.0 | | 28-AT10-50F | 87.3 | 1 | 60.0 | 66.0 | |
| 30-AT10-32F | 93.7 | 1 | 60.0 | 47.0 | | 30-AT10-50F | 93.7 | 1 | 60.0 | 66.0 | |
| 32-AT10-32F | 100.0 | 1 | 65.0 | 47.0 | | 32-AT10-50F | 100.0 | 1 | 65.0 | 66.0 | |
| 36-AT10-32F | 112.8 | 1 | 70.0 | 47.0 | | 36-AT10-50F | 112.8 | 1 | 70.0 | 66.0 | |
| 40-AT10-32F | 125.5 | 2 | 80.0 | 47.0 | | 40-AT10-50F | 125.5 | 2 | 80.0 | 66.0 | |
| 44-AT10-32 | 138.2 | 5 | 88.0 | 47.0 | | 44-AT10-50 | 138.2 | 5 | 88.0 | 66.0 | |
| 48-AT10-32 | 151.0 | 5 | 95.0 | 47.0 | 48-AT10-50 | 151.0 | 5 | 95.0 | 66.0 | | |
| 60-AT10-32 | 189.1 | 5 | 110.0 | 47.0 | 60-AT10-50 | 189.1 | 5 | 110.0 | 66.0 | | |

N.F. - No Flanges